
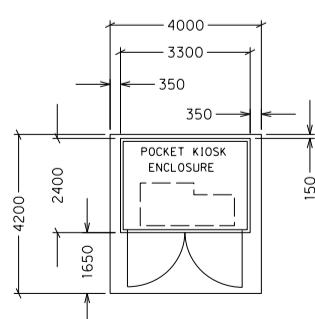
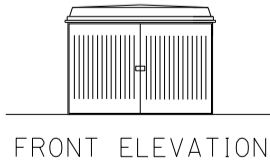


SIGNATURE :	
DATE :	
WESTERN POWER DISTRIBUTION <i>Serving the Midlands, South West and Wales</i>	
	TITLE: • Field Road • Billinghamay • Lincolnshire
DRAWING NUMBER	• TF 144010551711
REVISION	• 1
GRID REFERENCE	• TF 144010551711
DATE • 01/06/2021	SCALE 1:500 @ A3
SUBSTATION SITE/THE PROPERTY (SIDE A-B=FRONT UNLESS STATED OTHERWISE)	
UNDERGROUND ELECTRIC LINES & ACCESSWAY	



A POCKET KIOSK TYPE SUBSTATION TO BE INSTALLED OF APPROX. DIMENSIONS 3110 x 2265 x 2300 HIGH ON A CONCRETE BASE 3300 x 2400 WITHIN A 4200 x 4000 PAVED SITE AREA FOR OPERATIONAL & MAINTENANCE PURPOSES.

PLANNING :- PERMITTED DEVELOPMENT

Based upon the Ordnance Surveys map with the permission of the Controller of Her Majesty's Stationery Office. Crown Copyright Reserved. Western Power Distribution, Avonbank, Feeder Road, Bristol, BS2 0TB. Licence Nos. 100022488, 100024877, 100021807, 100022432.

PLEASE NOTE THAT THIS IS A LEGAL PLAN RELATING TO SPECIFIC ASSETS (A LINE MAY INDICATE THE POSITION OF MORE THAN ONE ASSET/CABLE). SYMBOLS (I.E. TOWER/POLE) ARE INDICATIVE AND ARE NOT DRAWN TO SCALE. THIS PLAN IS NOT TO BE USED FOR IDENTIFYING WHERE OUR ASSETS HAVE BEEN INSTALLED OR IN CONNECTION WITH ANY PLANNED WORKS OR EXCAVATIONS. IF YOU REQUIRE A PLAN OF WESTERN POWER DISTRIBUTION'S ASSETS IN PREPARATION FOR SITE WORKS OR EXCAVATIONS, PLEASE REFER TO OUR COMPANY WEBSITE FOR DETAILS. ASSETS SHOWN DEAD OR DISCONNECTED MAY HAVE BEEN RECONNECTED AND SHOULD BE TREATED AS LIVE.